

visionary™ IDESIGNS

Using Your Setup Instructions

The Visionary Designs Setup Instructions are created specifically for your configuration. They are laid out sequentially, including an exploded view of the entire display, and then a logical series of detailed steps to assemble the main structure and components. We encourage you to study the instructions **before** attempting to assemble your exhibit.

Each page reminds you to tighten the setscrews after disassembling your exhibit to prevent loss of the locks and setscrews (see below in RED). This is **VERY IMPORTANT**.

Cleaning and Packing Your Display

- 1) Use care when cleaning aluminum extrusion or acrylic inserts. Use only non-abrasive cleaners.
- 2) When cleaning laminate inserts or countertops, use mild cleansers and a soft material such as cotton.
- 3) Keep all display components away from extreme heat and long exposure to sunlight to avoid warping and fading.
- 4) Retain all packing material. It will make re-packing much easier and will reduce the likelihood of shipping damage.



The Tool

Most Visionary Designs exhibits can be assembled with the supplied Hex Key Tool. Occasionally, a flat head screwdriver may be required.



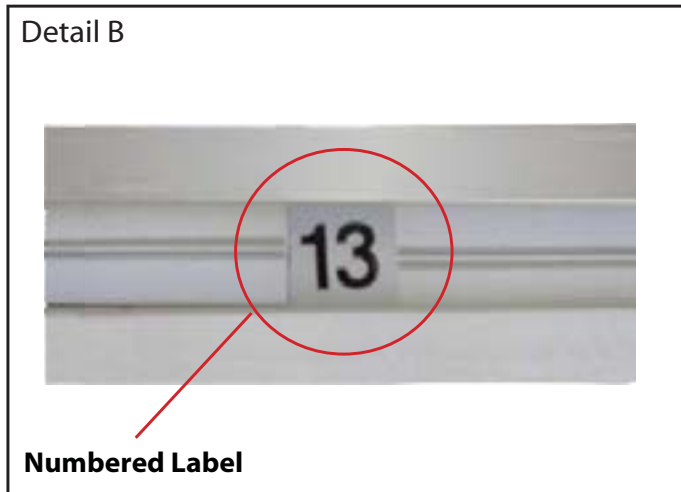
Detail A

Typical Connection



Typical Connection (cont'd)

Most horizontal extrusion connections have a patented expandable lock. This lock inserts into the groove of an opposing extrusion. Tightening the lock with the Hex Key Tool expands the lock and creates a strong positive connection.



Detail B

Numbered Label

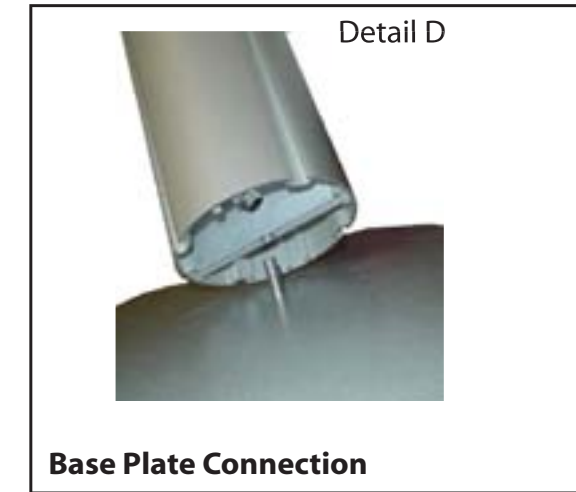
Each extrusion contains a numbered label which corresponds with setup instructions. The label is located within a groove of the extrusion (when possible). With Visionary Designs the labels contain Black numbers unless otherwise specified.



Detail C

Horizontal Inline Connection (remove only one setscrew)

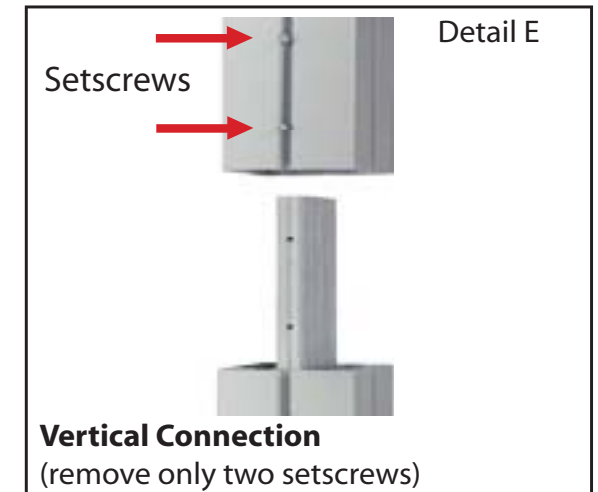
Remove only (1) setscrew when disassembling. Replace setscrew in extrusion after assembling it. Before packing, replace setscrew in extrusion to avoid losing it.



Detail D

Base Plate Connection

Attach base plate to round or square vertical extrusion using the bolt provided. Be careful not to strip the threads.



Detail E

Vertical Connection
(remove only two setscrews)

When vertical extrusions are packed in portable cases rather than crates or tubs, they must be broken down into smaller sections which then require assembly.

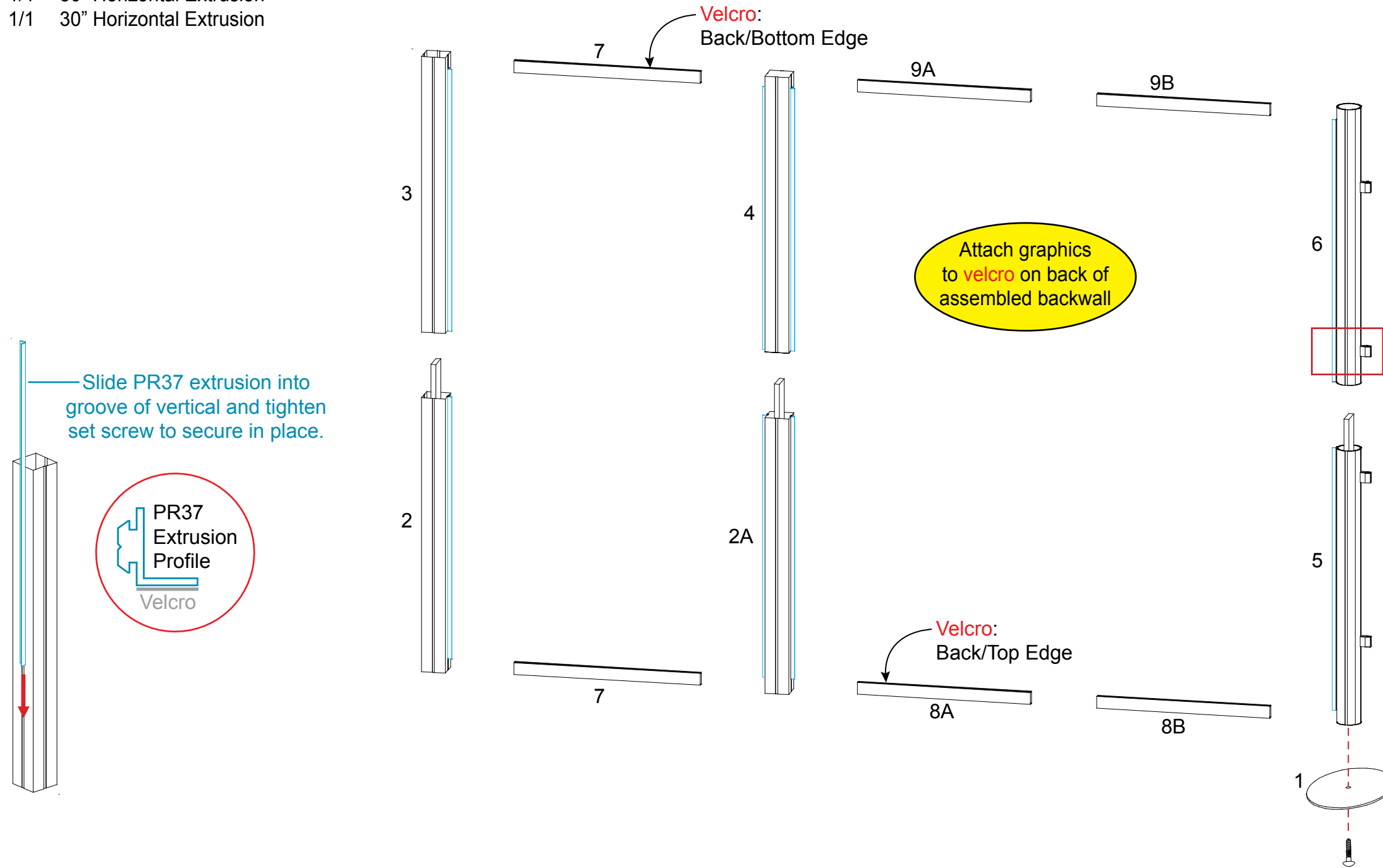
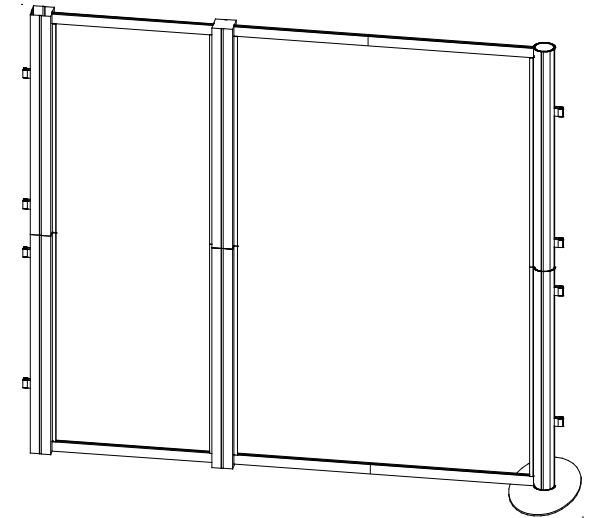
Remove only (2) setscrews when disassembling. Replace setscrews in extrusion after assembling it. Before packing, replace setscrews in extrusion to avoid losing them.

WHEN DISASSEMBLING ALUMINUM EXTRUSION, TIGHTEN ALL SETSCREWS AND LOCKS TO PREVENT LOSS DURING SHIPPING

866.652.2100

Item	Qty.	Description
1	1	Oval Base Plate
2/2a	1/1	42" Lower Square Vertical Extrusion
3	1	42" Upper Square Vertical Extrusion w/ Canopy Attachment
4	1	42" Upper Square Vertical Extrusion
5	1	42" Lower Round Vertical Extrusion
6	1	42" Upper Round Vertical Extrusion w/ Canopy Attachment
7	2	22" Horizontal Extrusion
8A/8B	1/1	30" Horizontal Extrusion
9A/9B	1/1	30" Horizontal Extrusion

- Steps:
- 1) Attach lower vertical extrusion [5] to oval base plate [1].
 - 2) Attach upper vertical extrusions [3,4,6] to lower vertical extrusions [2,2A,5].
 - 3) Connect horizontal extrusions [8A,8B and 9A,9B] together.
 - 4) Attach horizontal extrusions [7,8a/8b,9a/9b] between vertical extrusions [2/3,2a/4,5/6] as shown.
 - 5) Apply graphics to **velcro** on back of assembled backwall.



Wing Attachment

Slide A10 Clamp into groove of square extrusion.

A10

When desired location is found, tighten set screw to secure.

Set-Screw

Tighten black plastic set screw to secure Wing in place.

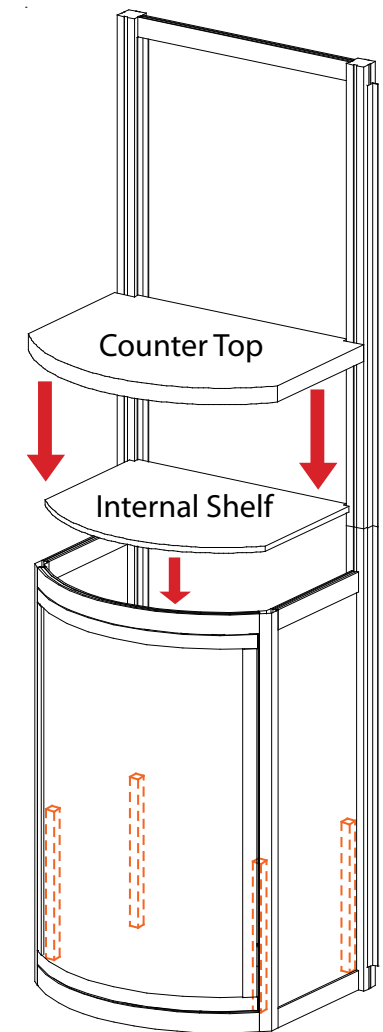
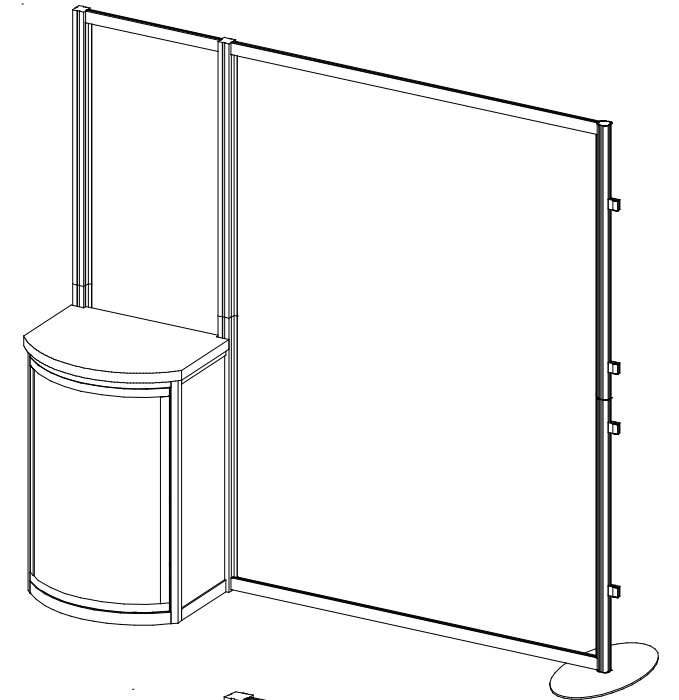
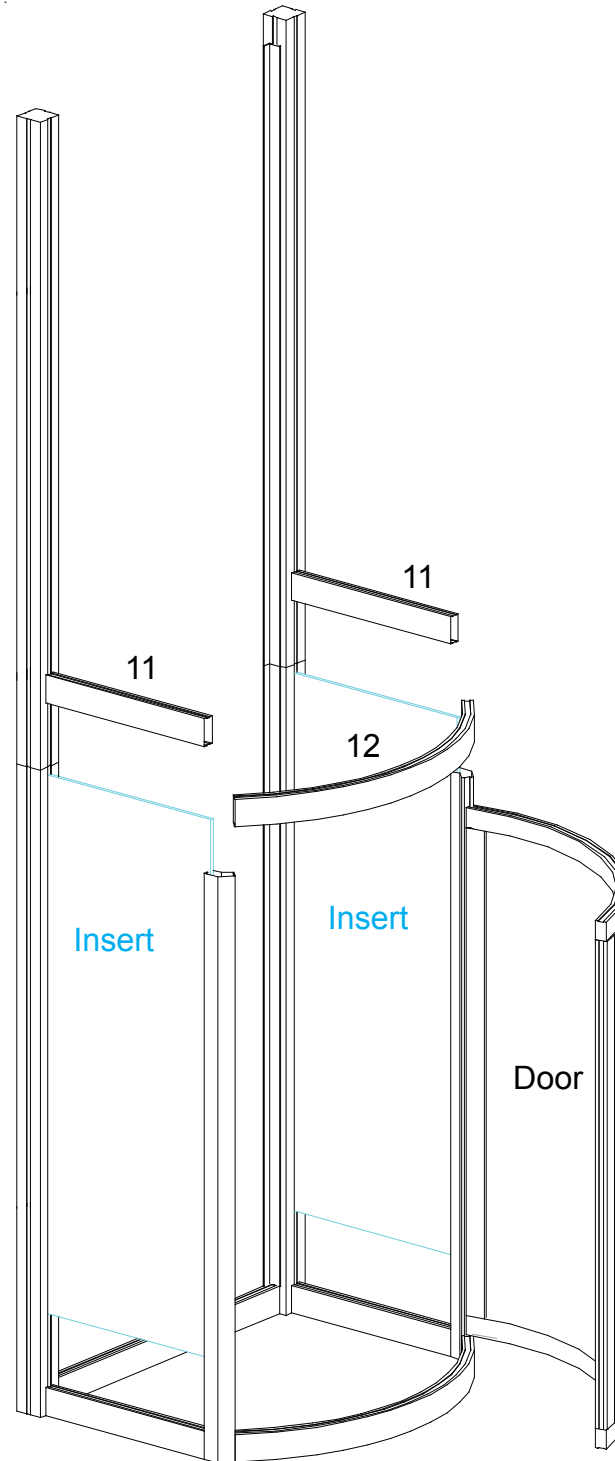
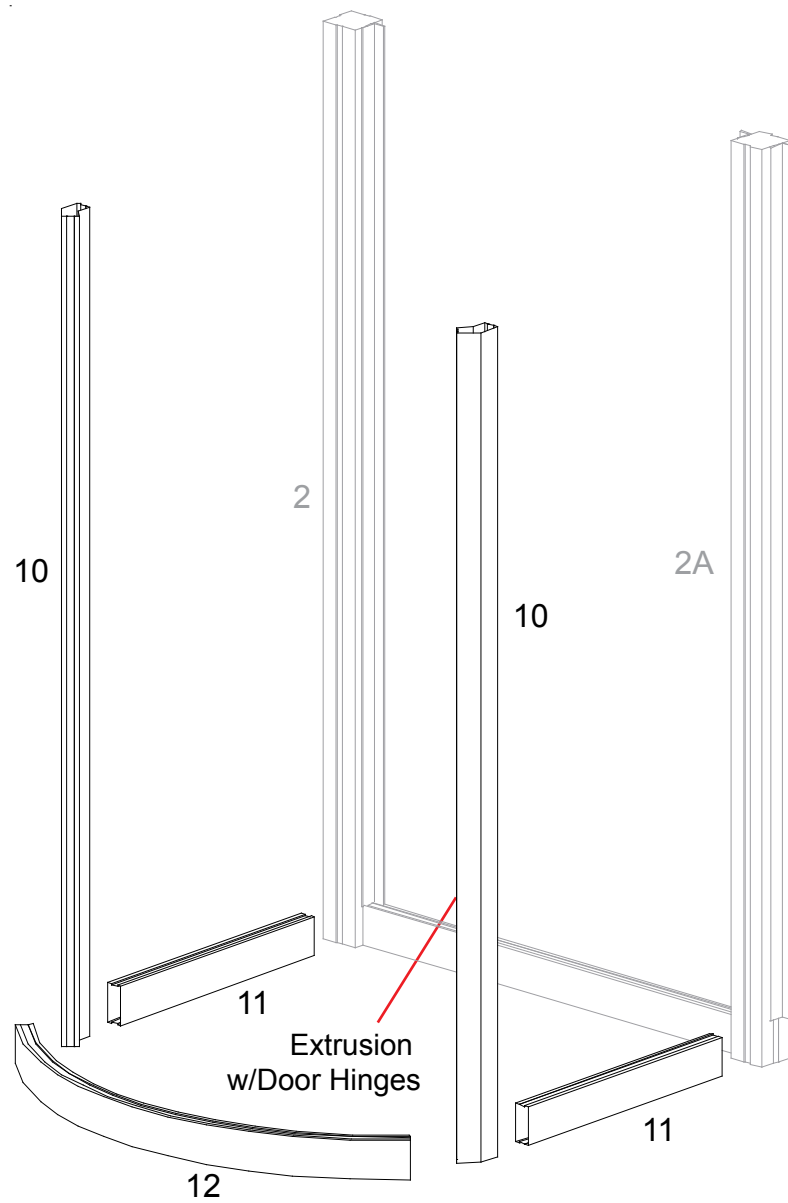
Black Plastic Set-screw

WHEN DISASSEMBLING ALUMINUM EXTRUSION, TIGHTEN ALL SETSCREWS AND LOCKS TO PREVENT LOSS DURING SHIPPING

866.652.2100

Item	Qty	Description
10	2	38" Vertical Extrusion
11	4	12.5" Horizontal Extrusion
12	2	Curved Extrusion

- Steps**
- 1) Attach lower horizontal extrusions [11,12] between vertical extrusions [2,10] as shown.
 - 2) Attach door as shown.
 - 3) Attach inserts as shown.
 - 4) Attach upper horizontal extrusions [14 and 15] between vertical extrusions [2&11 and 12&13] as shown.
 - 5) Velcro shelf support to inside of pedestal, then set internal shelf on top of supports.
 - 6) Place counter top on assembled pedestal.



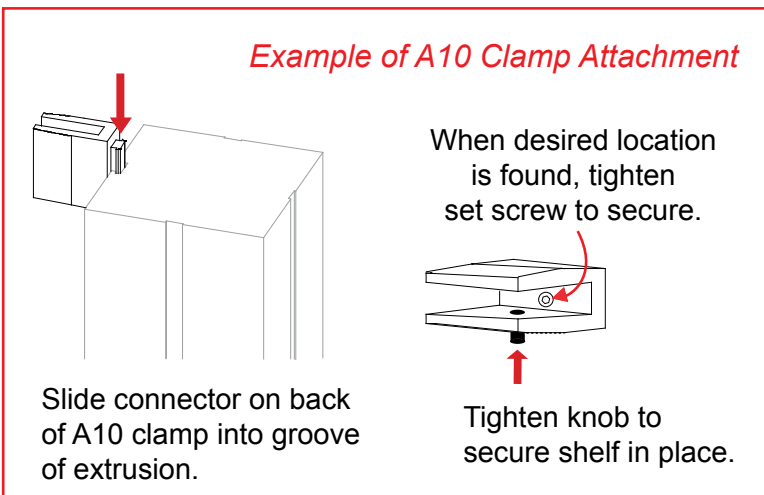
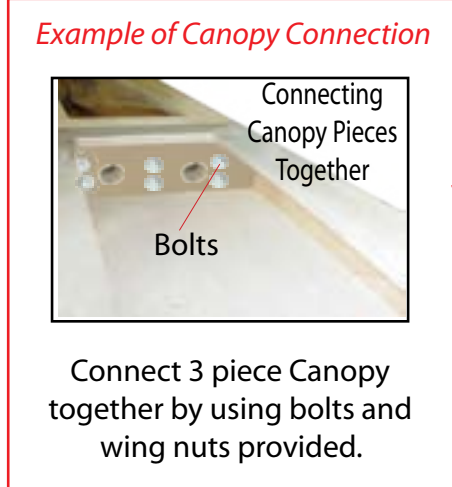
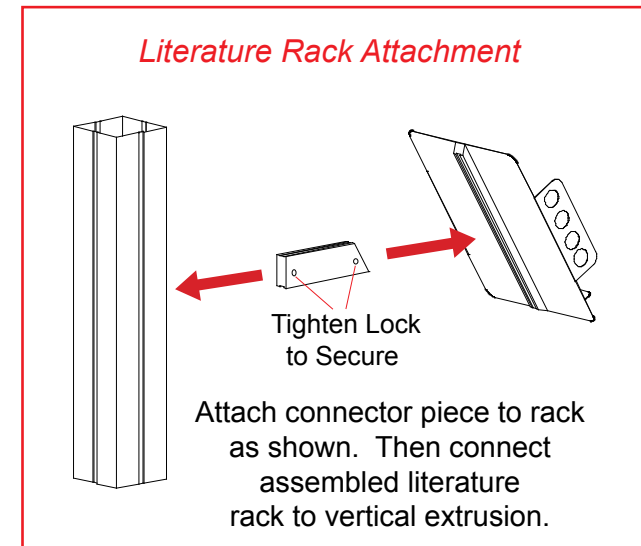
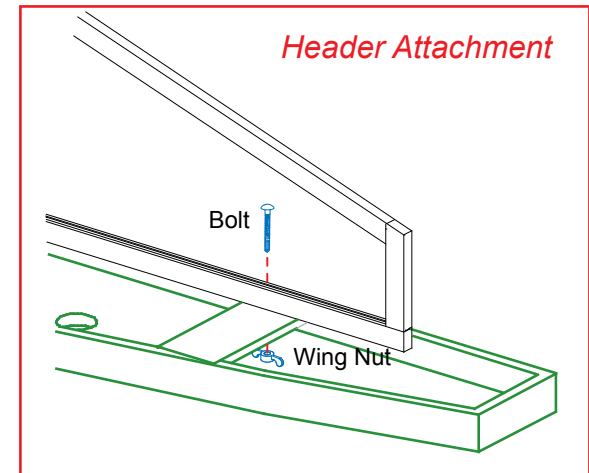
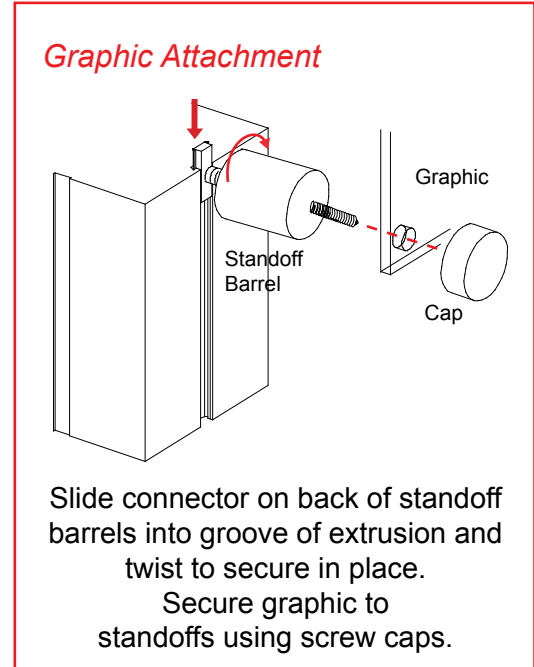
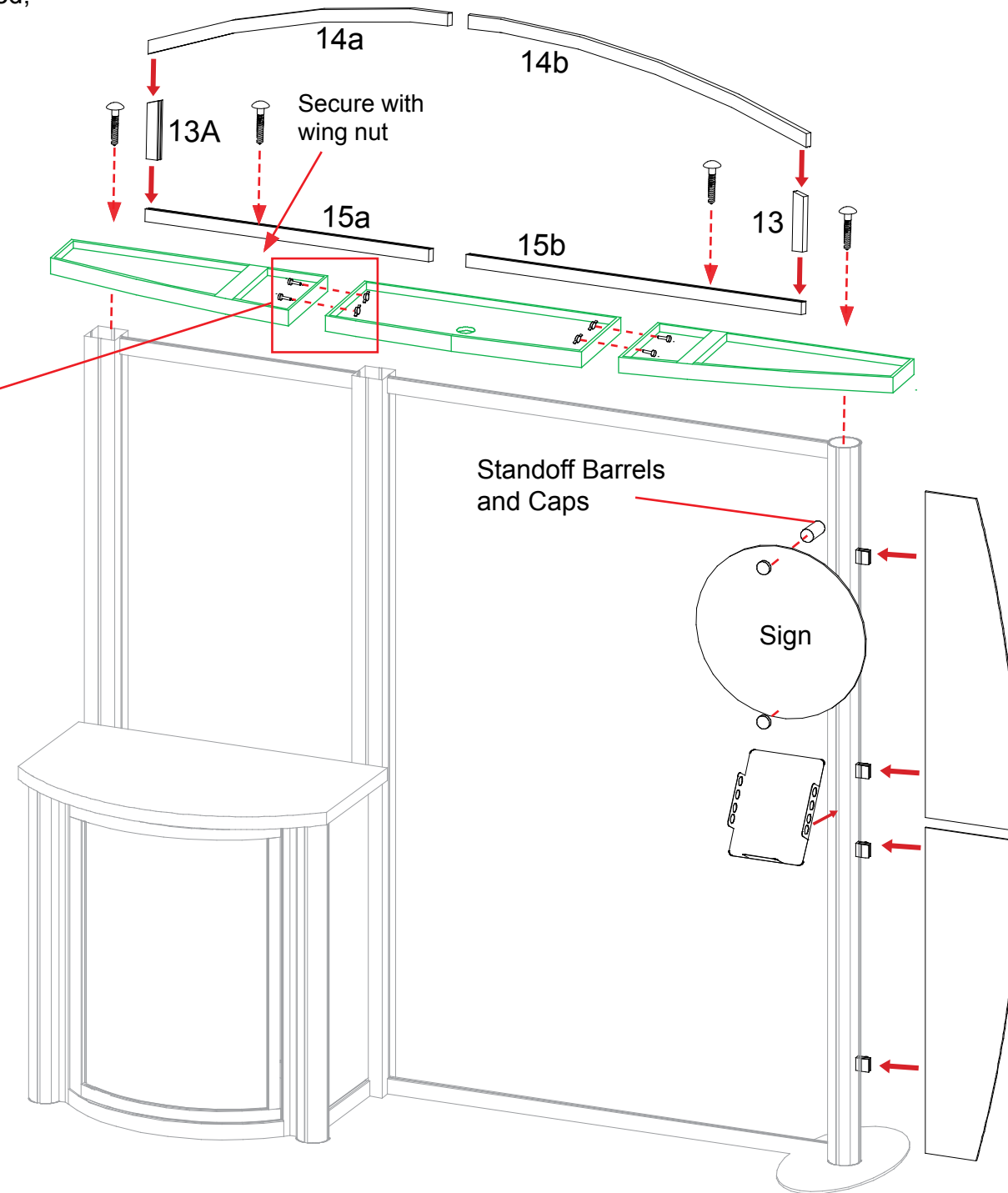
WHEN DISASSEMBLING ALUMINUM EXTRUSION, TIGHTEN ALL SETSCREWS AND LOCKS TO PREVENT LOSS DURING SHIPPING

Item	Qty.	Description
13/13A	1/1	5.862" Vertical Extrusion
14a/14b	1/1	40.319" Formed Horizontal Extrusion
15a/15b	1/1	39" Horizontal Extrusion

Steps

- 1) Connect canopy pieces together using bolts and wing nuts provided, see Example of Canopy Connection detail.
- 2) Connect vertical extrusions [13,13a] to left and right side of horizontal extrusion [15a/15b].
- 3) Attach formed horizontal extrusion [14a/14b] to top of vertical extrusions [13,13a].
- 4) Attach header to assembled backwall as shown.
- 5) Attach Sign using standoff barrels and caps.
- 6) Attach wings using A10 clamps as shown.
- 7) Attach literature rack as shown

Attaching Graphics
Attach Header Graphic to Back of assembled header frame.



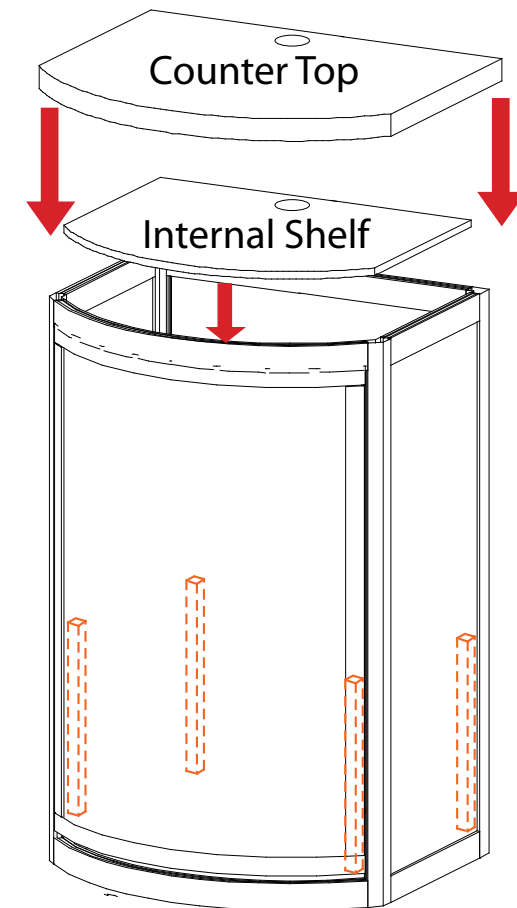
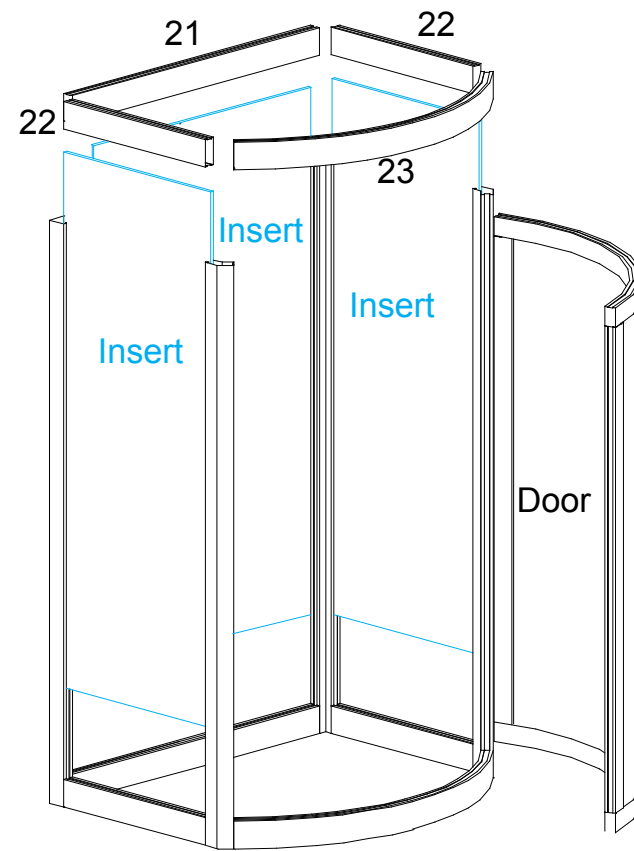
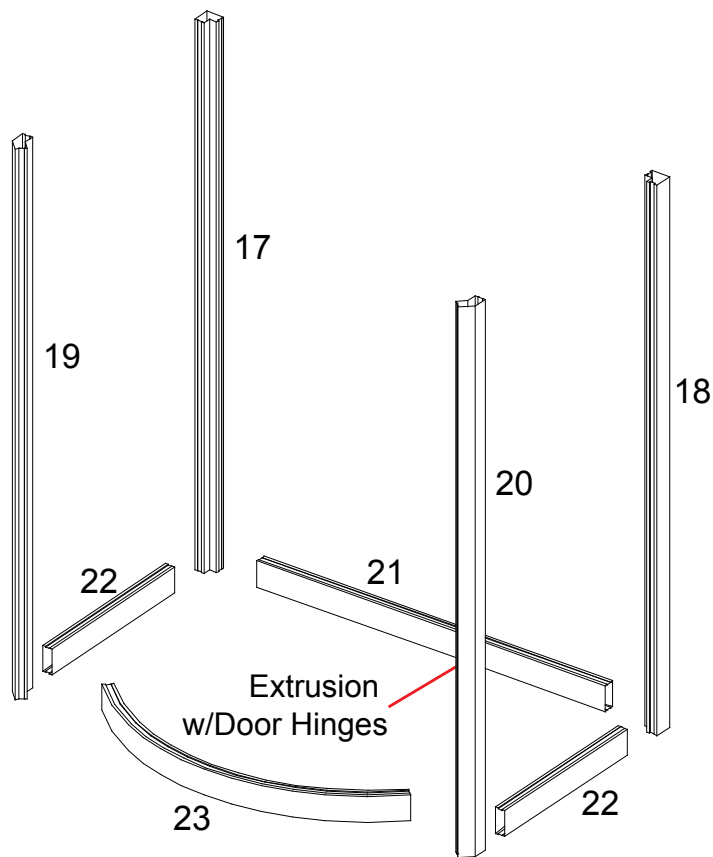
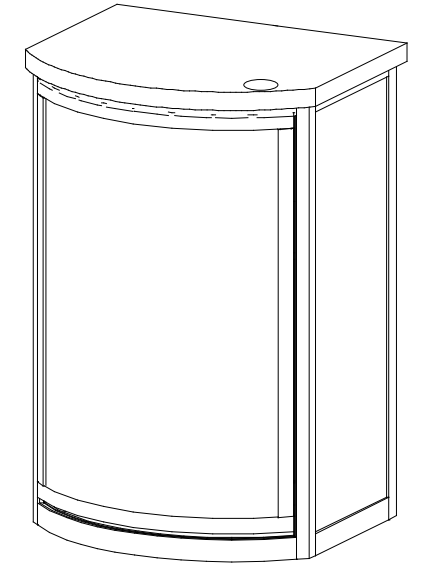
WHEN DISASSEMBLING ALUMINUM EXTRUSION, TIGHTEN ALL SETSCREWS AND LOCKS TO PREVENT LOSS DURING SHIPPING

866.652.2100

Item	Qty.	Description
17	1	38" Vertical Extrusion
18	1	38" Vertical Extrusion
19	1	38" Vertical Extrusion
20	1	38" Vertical Extrusion
21	2	22.0197" Horizontal Extrusion
22	4	12.5" Horizontal Extrusion
23	2	25.639" Curved Extrusion

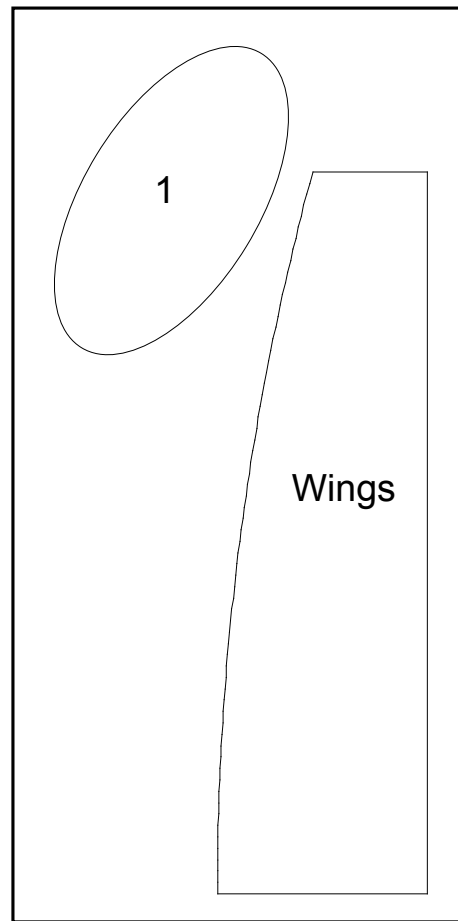
Steps

- 1) Attach lower horizontal extrusions [21,22,23] between vertical extrusions [17,18,19,20] as shown.
- 2) Attach door to front as shown. Refer to detail.
- 3) Place side and back inserts between verticals as shown.
- 4) Attach upper horizontal extrusions [21,22,23] between vertical extrusions [17,18,19,20] as shown.
- 5) Velcro shelf support to inside of pedestal, then set internal shelf on top of supports.
- 6) Place counter top on assembled pedestal.

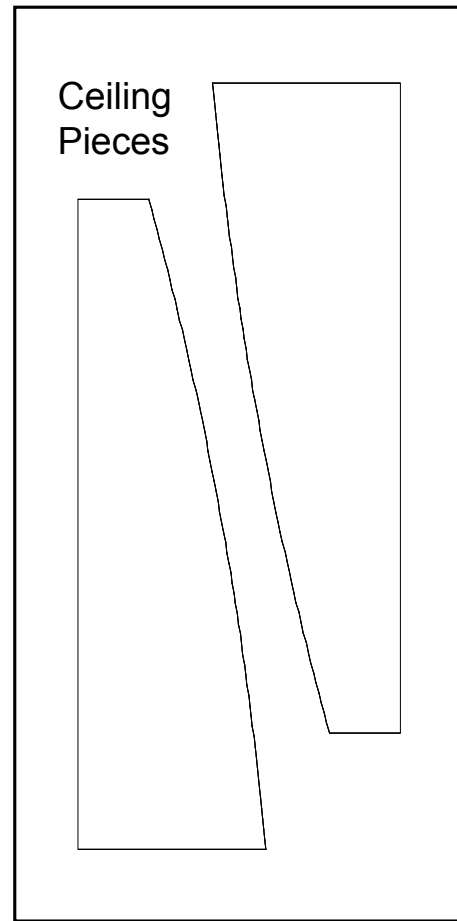


WHEN DISASSEMBLING ALUMINUM EXTRUSION, TIGHTEN ALL SETSCREWS AND LOCKS TO PREVENT LOSS DURING SHIPPING

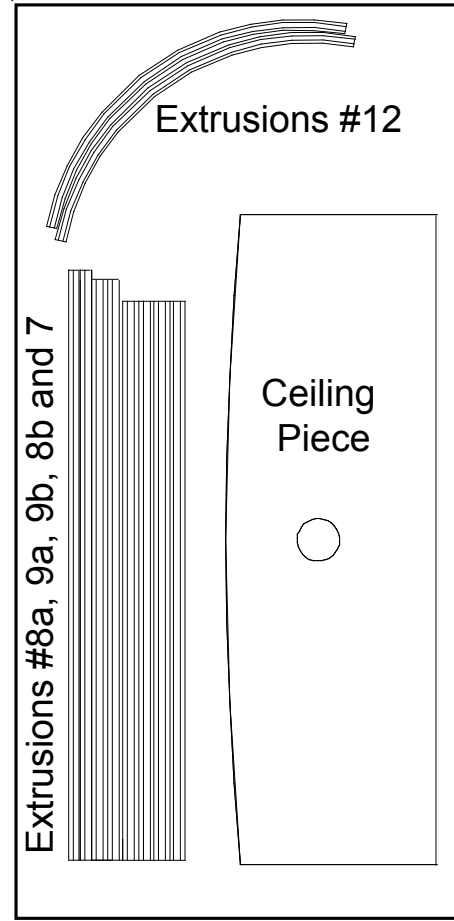
Top View of Each Level



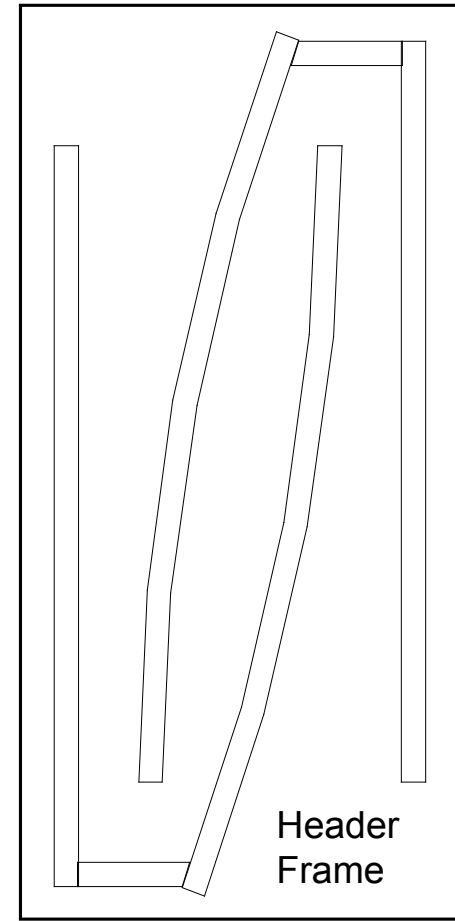
Level 1



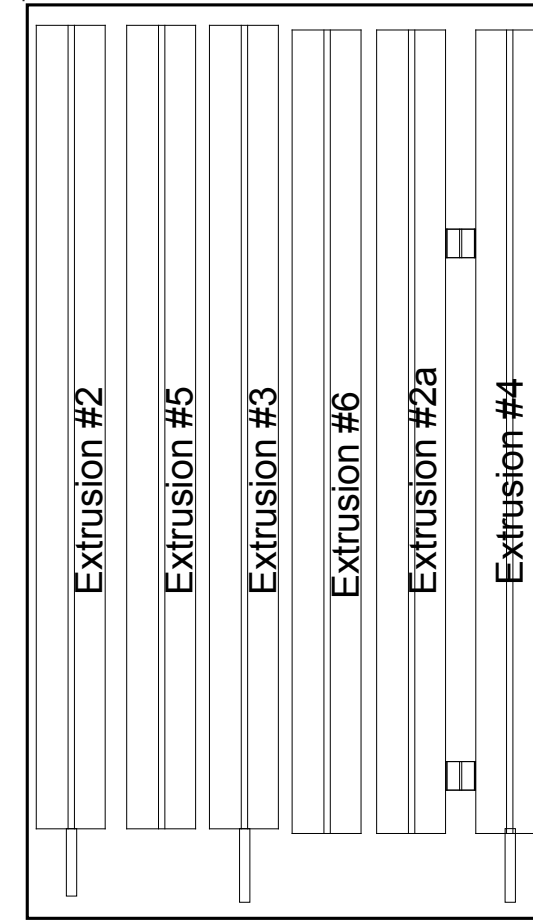
Level 2



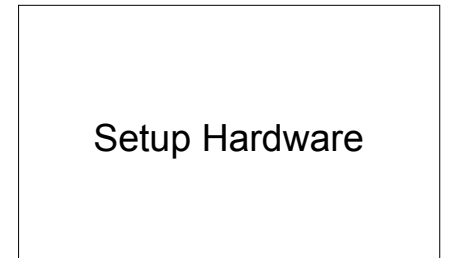
Level 3



Level 4

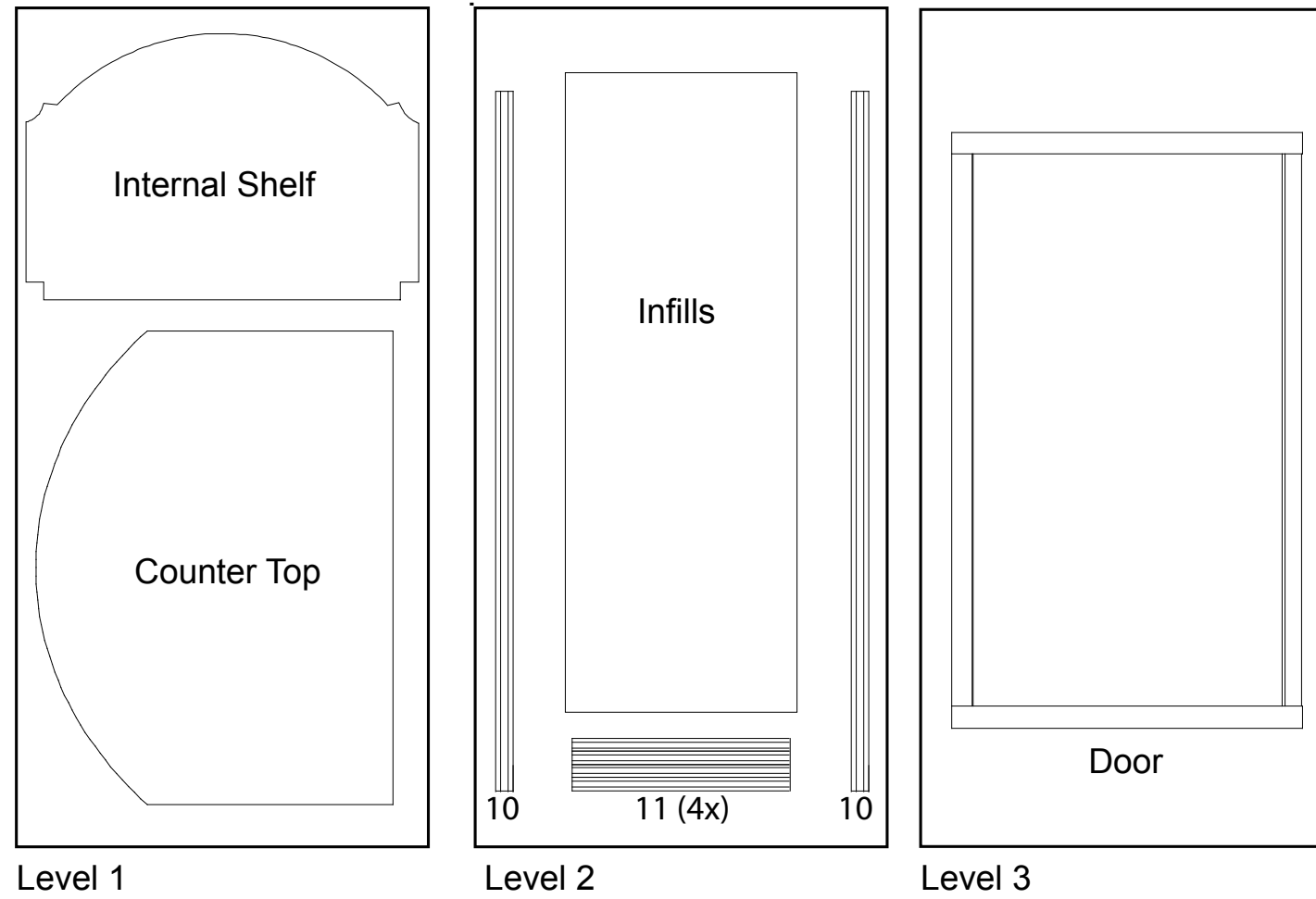


Level 5



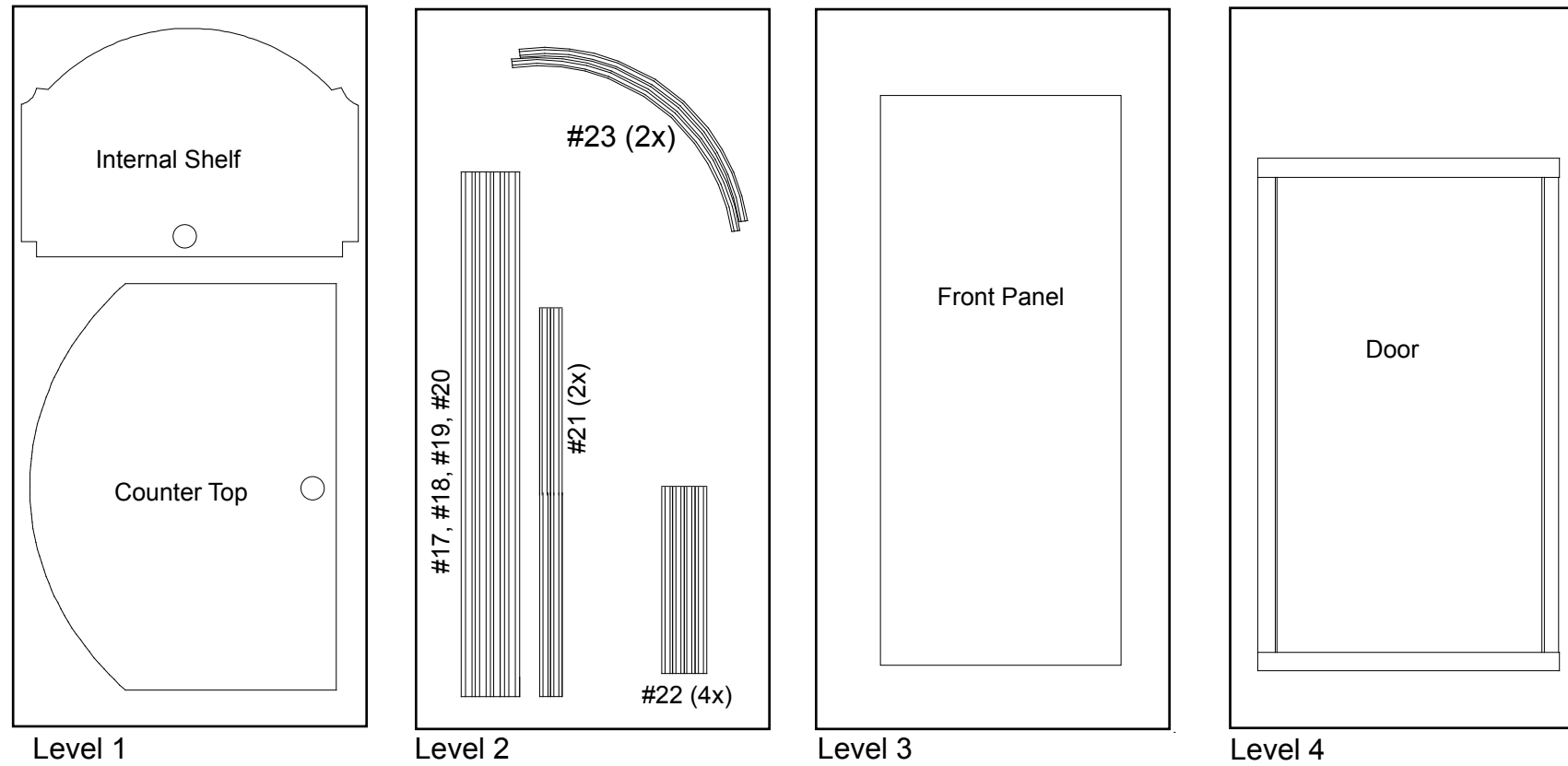
WHEN DISASSEMBLING ALUMINUM EXTRUSION, TIGHTEN ALL SETSCREWS AND LOCKS TO PREVENT LOSS DURING SHIPPING

Top View of Each Level



WHEN DISASSEMBLING ALUMINUM EXTRUSION, TIGHTEN ALL SETSCREWS AND LOCKS TO PREVENT LOSS DURING SHIPPING

Top View of Each Level



WHEN DISASSEMBLING ALUMINUM EXTRUSION, TIGHTEN ALL SETSCREWS AND LOCKS TO PREVENT LOSS DURING SHIPPING