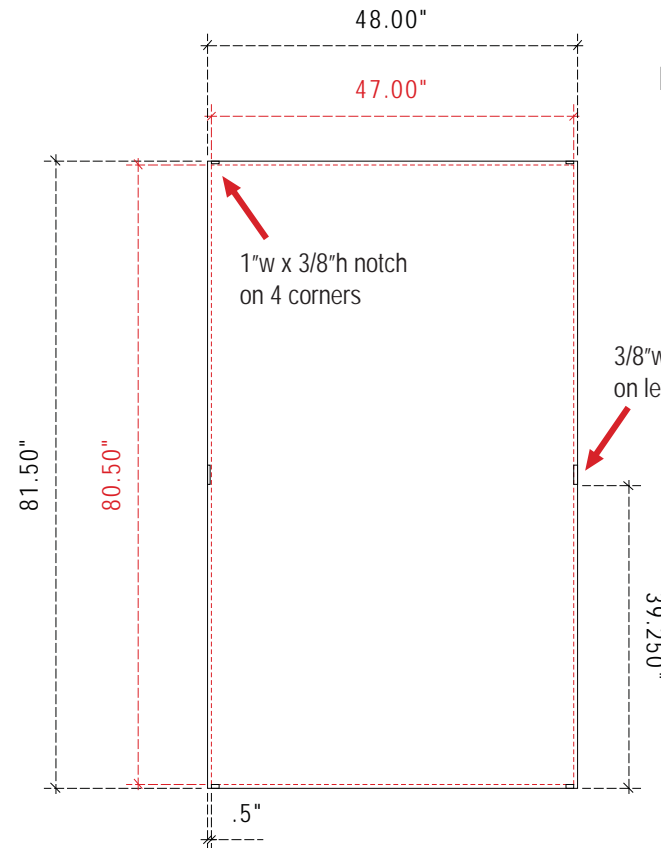


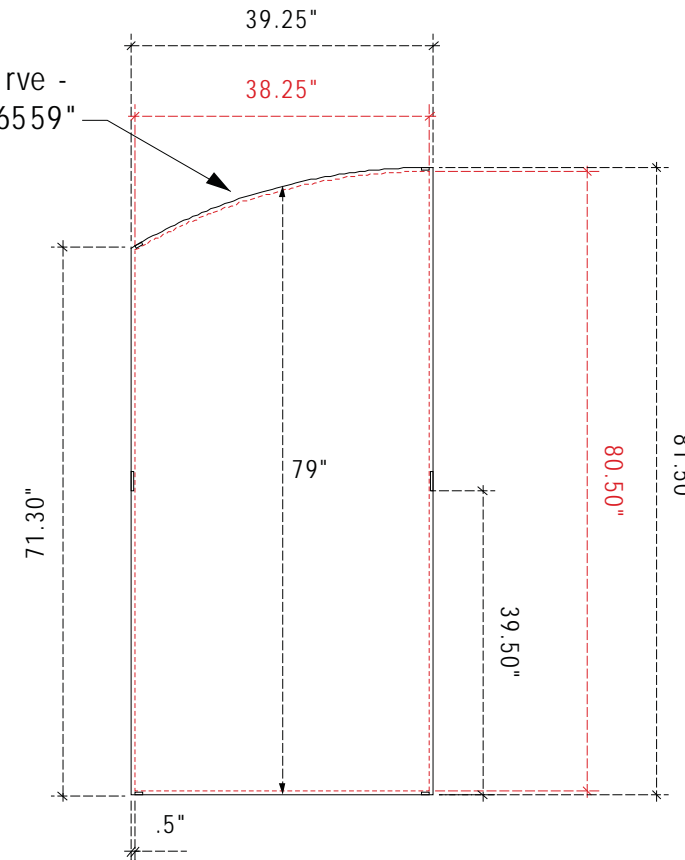
Backwall Tension Fabric Graphics (Included)



Finished Size: 48"w x 81.50"h
Live Area: 47"w x 80.50"h
Add 1/2" bleed around perimeter

Sew 1/2" hook Velcro into **front perimeter**

Live Upper Curve -
Rad: 76.6559"

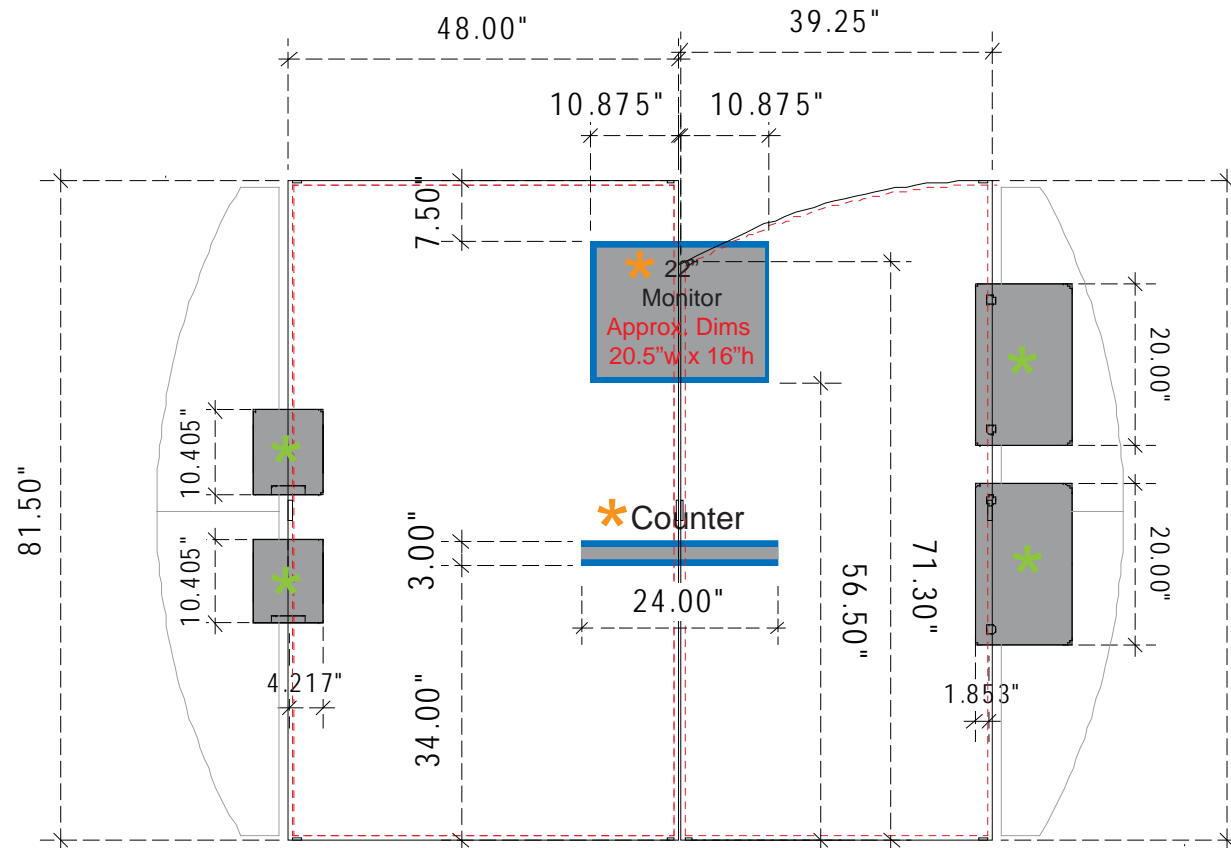


Finished Size: 39.25"w x 81.50"h
Live Area: 38.25"w x 80.50"h
Add 1/2" bleed around perimeter

Sew 1/2" hook Velcro into **front perimeter**

NOTE: Graphic files must be @ 150 dpi Finished Size.
DO NOT send Flattened Files. Production can not manipulate the content, proportion or color of these files.

NOTE: These dimensions are for graphic layout purposes.
Graphic needs to be cut and test fitted to Sacagawea frame.



Blue Area indicates 3/4" bleed area around the counter and the monitor

* Note: When adding Monitors, Counter and Accessories to the Sacagawea unit, portions of the graphic will be covered. Please design graphic layout according to suggested locations.

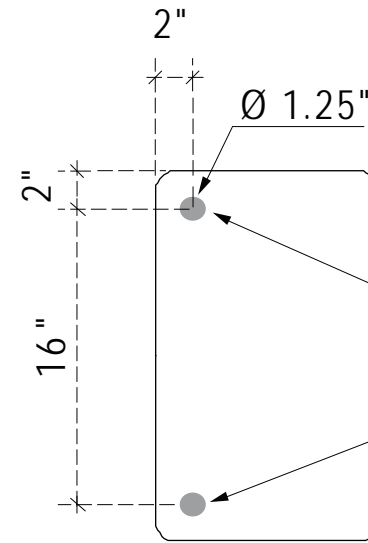
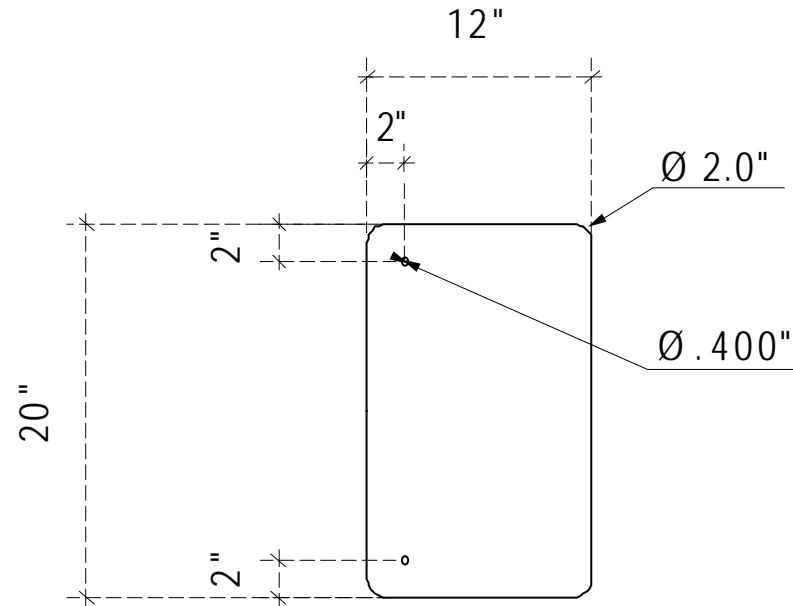
* Note: The height of Literature Racks and Graphic Panels can be adjustable.

See next page for graphic panel dimensions.

NOTE: Graphic files must be @ 150 dpi Finished Size.
DO NOT send Flattened Files. Production can not manipulate the content, proportion or color of these files.

NOTE: These dimensions are for graphic layout purposes.
Graphic needs to be cut and test fitted to Sacagawea frame.

Product Name: Sacagawea PS
Process: Direct Print
Material: 1/4" Sintra
Effective Date: 3/19/2010

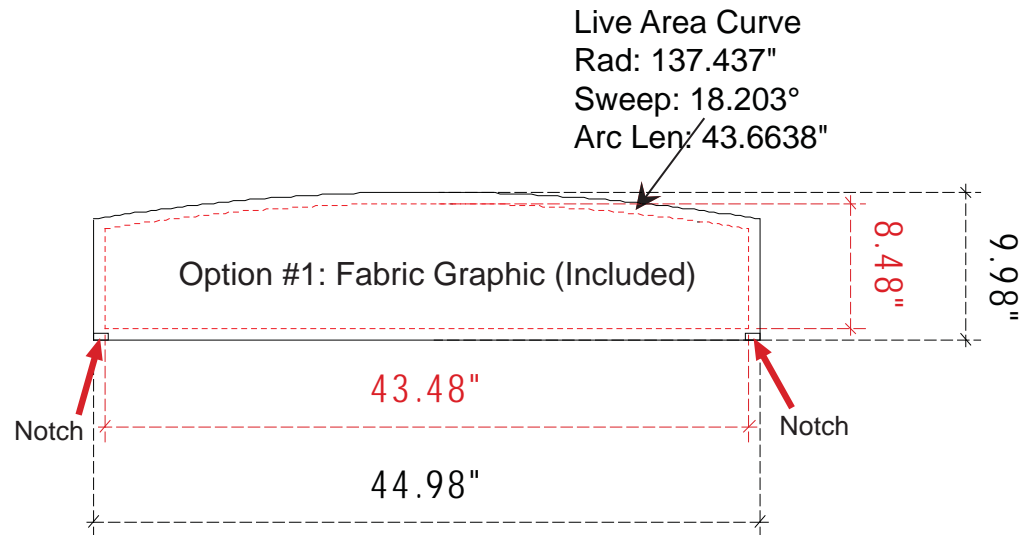


Note: Portions of graphic panel will be covered with $\text{Ø } 1.25"$ screwcaps.

Please design graphic layout according to screwcap locations.

**NOTE: Graphic files must be @ 150 dpi Finished Size.
DO NOT send Flattened Files. Production can not manipulate the content, proportion or color of these files.**

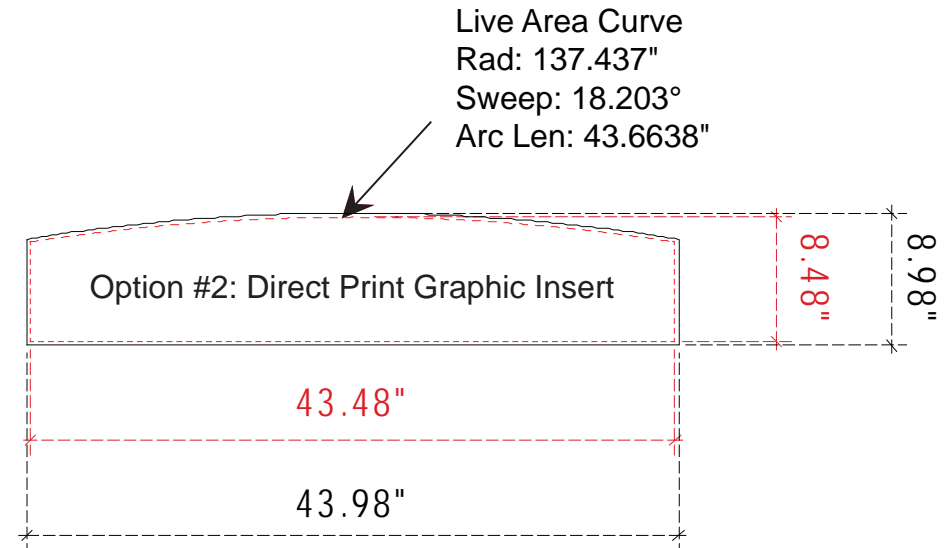
Header Fabric Graphic



Finished Size: 44.98"w x 9.98"h
Live Area: 43.48"w x 8.48"h

Add 3/4" bleed around perimeter
Sew 1/2" Velcro into front perimeter

1/4" Direct Print Header Graphic



Finished Size: 43.98"w x 8.98"h
Live Area: 43.48"w x 8.48"h

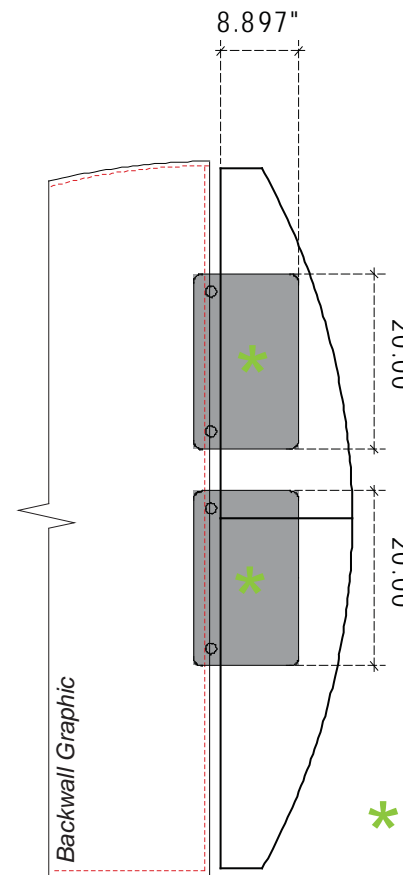
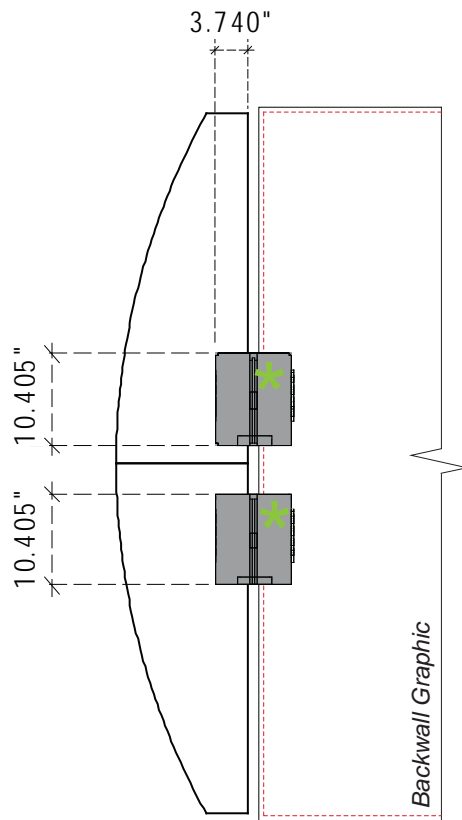
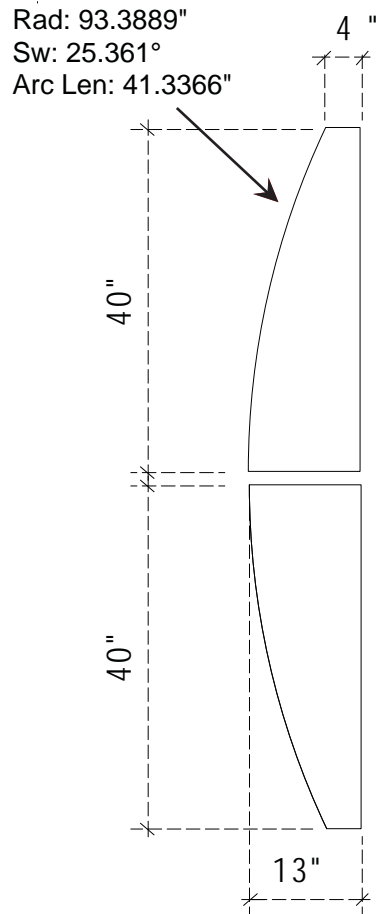
Add 1/4" bleed around perimeter

**NOTE: Graphic files must be @ 150 dpi Finished Size.
DO NOT send Flattened Files. Production can not manipulate
the content, proportion or color of these files.**

*A small portion of your graphic(s) may be hidden by monitor and counter.
Please use these diagrams to position your graphics correctly.*

Product Name: Sacagawea PS
Process: Direct Print
Material: 1/4" Sintra
Effective Date: 07/06/2011

Convex Wing
Unit includes (2) Bottom Panel and (2) Upper Panel



* Note: The height of Literature Racks and Graphic Panels can be adjustable.

**NOTE: Graphic files must be @ 150 dpi Finished Size.
DO NOT send Flattened Files. Production can not manipulate
the content, proportion or color of these files.**